

PANEL LIGHT PL02 HF

Panel Light 60x60cm 33W



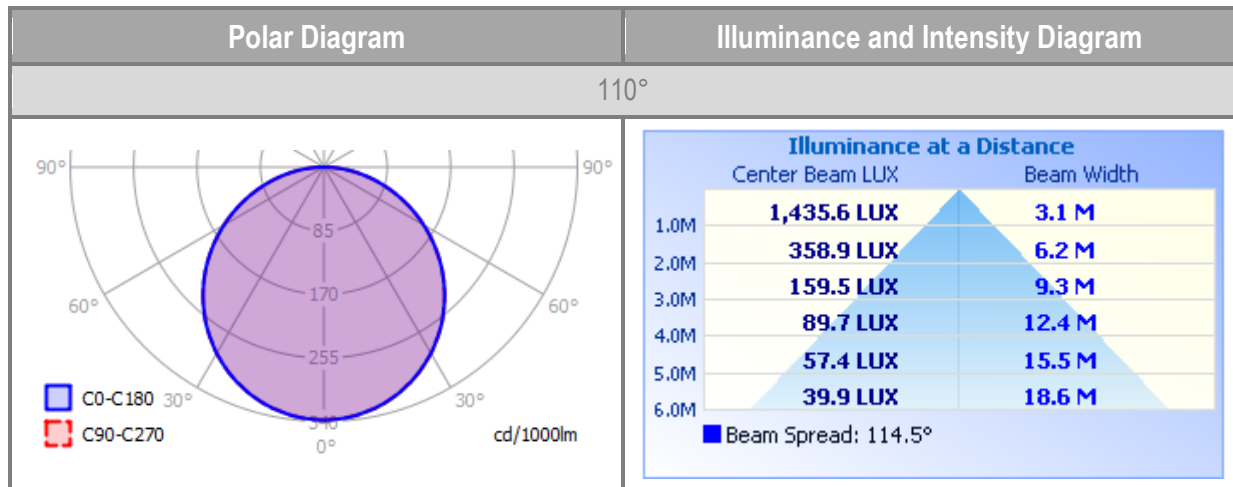
VESTEL

LED LIGHTING

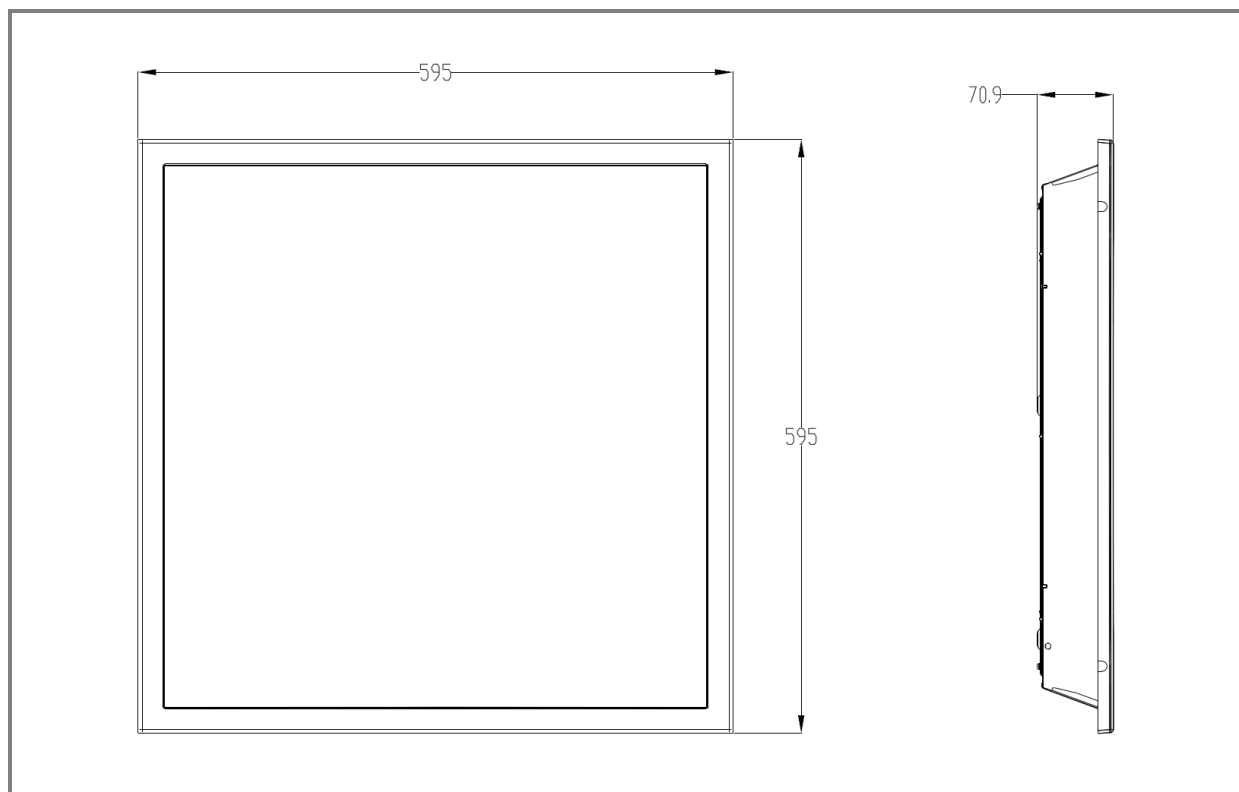
PRODUCT TECHNICAL INFORMATION

PRODUCT SPECIFICATION			
Colour Description	Warm White	Neutral White	Cool White
CCT	3000K	4000K	6500K
Luminous Flux	4000 lm \pm 15%	4200 lm \pm 15%	4200 lm \pm 15%
Rated Power	33W	33W	33W
CRI	\geq 80	\geq 80	\geq 80
Efficacy of Luminaire	120 lm/W	127 lm/W	127 lm/W
Beam Angle of Luminaire	110°		
Unified Glare Ratio (UGR)	\leq 26		
Dimming	Optional (1-10V)		
Emergency	Optional (+3W)		
Flicker Free	Optional		
Rated Life Time (L70B10)	> 90,000 hours [Ts=85°C]		
Operated Temperature	0°C – +40°C		
Humidity (Relative)	85%		
IP	<u>IP20</u>		
ELECTRICAL SPECIFICATION			
Number of Power Supplies	1 for 1 product		
Input Voltage (Vac)	220 ~ 240Vac		
Output Voltage (Vdc)	18-44V		
Output Current (Idc)	900mA \pm 5%		
Frequency (Hz)	50 ~ 60Hz		
Operating Mode	Constant Current		
Power Factor	0,85C		
MECHANICAL SPECIFICATION			
Dimensions (LxWxH)	595X595X70.9		
Weight	2.95 kg		
Packaging Type	Outbox		
Package Dimensions (LxWxH)	700X700X120		
Box	CP DOPEL WAVE		
Quantity in a Box	1		

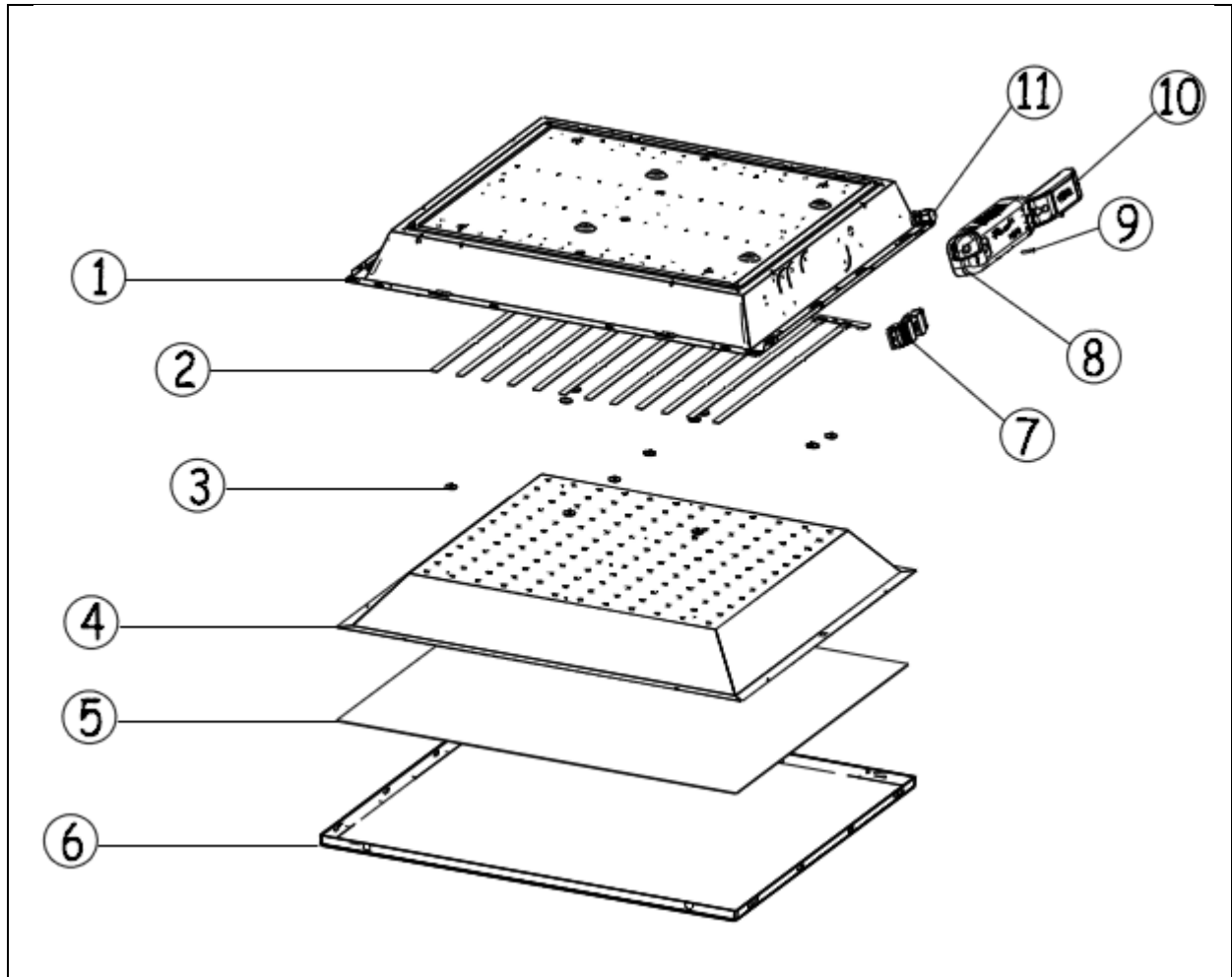
PHOTOMETRIC SPECIFICATION



TECHNICAL DRAWING



EXPLODED VIEW OF THE PRODUCT



- 1.BACK COVER
- 2.PCB
- 3.SUPPORT REFLECTOR
- 4.REFLECTOR
- 5.DIFFUSER PLATE
- 6.PLASTIC FRAME
- 7.SURGE PROTECTION
- 8.POWER SUPPLY
- 9.SCREW
- 10.DMX BOX (OPTIONAL)
- 11.GLAND

CONTAINER INFORMATION				
20" FEET		40" FEET		40" FEET
384 pcs.		768 pcs.		768 pcs.
PALETTE DIMENSIONS				
LENGHT	WIDTH	HEIGHT	WEIGHT	PACKAGE ON THE PALETTE
140cm	110cm	217cm		48