

[DRAFT] TRUNK LIGHT

[DRAFT] Trunk Light 70W



VESTEL

LED LIGHTING

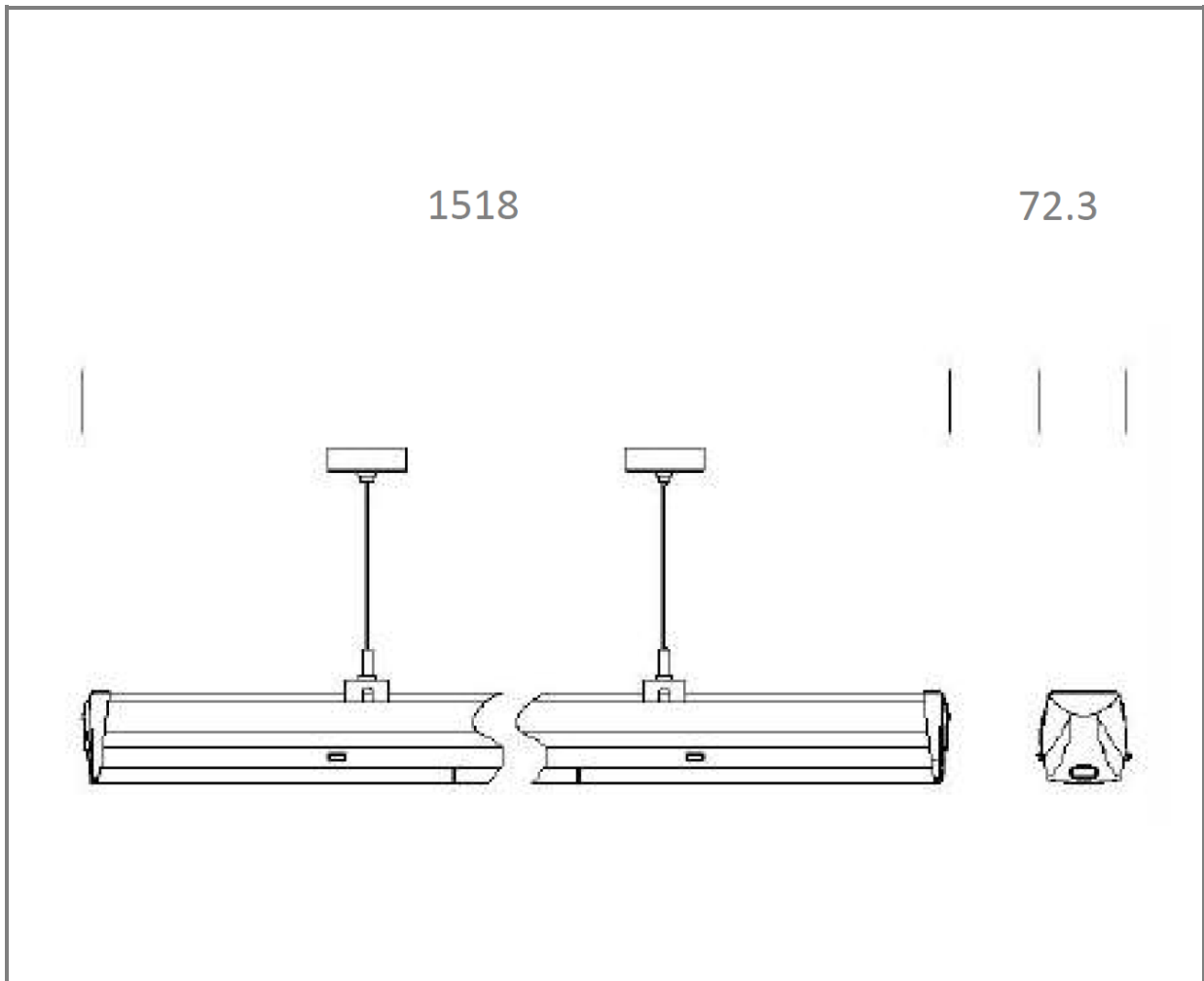
PRODUCT TECHNICAL INFORMATION

PRODUCT SPECIFICATION			
Colour Description		Neutral White	
CCT		4000K	
Luminous Flux		11200lm \pm 10%	
Rated Power		70W	
CRI		> 80	
Efficacy of Luminaire		160lm/W	
Beam Angle of Luminaire	25° / 60° / 90° / Double Arc / Double Asymmetric / Asymmetric Right		
Dimming	Optional		
Emergency	Optional		
Flicker Free	Optional		
Rated Life Time (L70B50)	50.000 hrs		
Operated Temperature	-25 °C - +40°C		
Humidity (Relative)	80%		
IP	IP20		
ELECTRICAL SPECIFICATION			
Number of Power Supplies	1 for 1 product		
Input Voltage (Vac)	220 ~ 240Vac		
Output Voltage (Vdc)	55-70V		
Output Current (Idc)	1,0A		
Frequency (Hz)	50 ~ 60Hz		
Operating Mode	Constant Current		
Power Factor	0,95		
MECHANICAL SPECIFICATION			
Dimensions (LxWxH)	1498,5*69,8*39,44mm (Luminaire) 1650*70,2*38,8mm (Trunk rail)		
Weight	1,9kg (Luminaire) 1,8kg (Trunking rail)		
Package Dimensions (LxWxH)	1548*390*207mm (Luminaire) 1700*430*130mm (Trunk rail)		
Quantity in a Box	10pcs/carton		

PHOTOMETRIC SPECIFICATION

Polar Diagram	Illuminance Diagram
25°	
60°	
90°	
Double Arc	
Double Asymmetric	
Right Asymmetric	

TECHNICAL DRAWING



CONTAINER INFORMATION				
20" FEET		40" FEET		40" FEET
PALETTE DIMENSIONS				
LENGHT	WIDTH	HEIGHT	WEIGHT	PACKAGE ON THE PALETTE