

# 6" LC DOWNLIGHT

6" LC Downlight



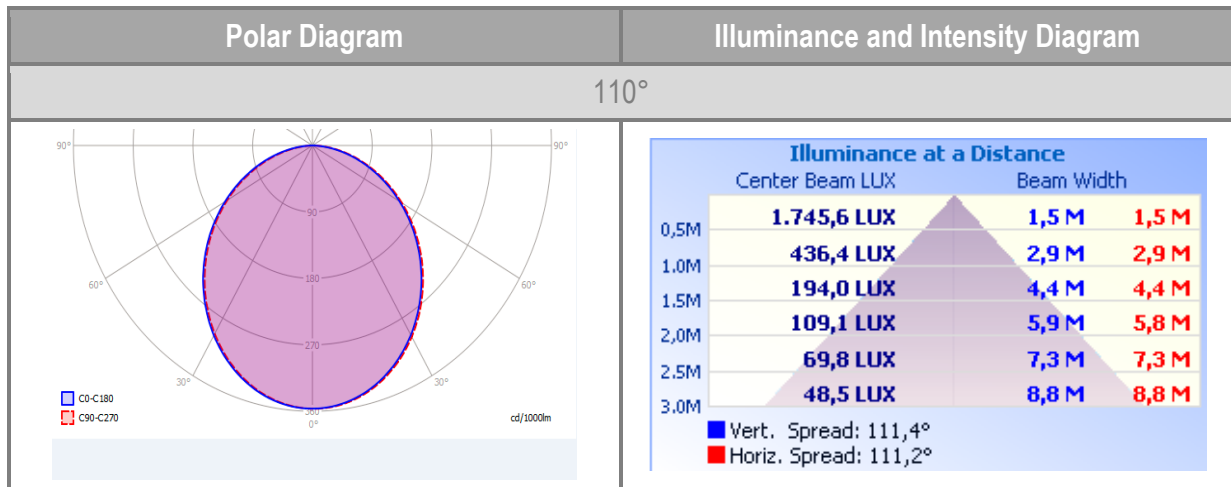
# VESTEL

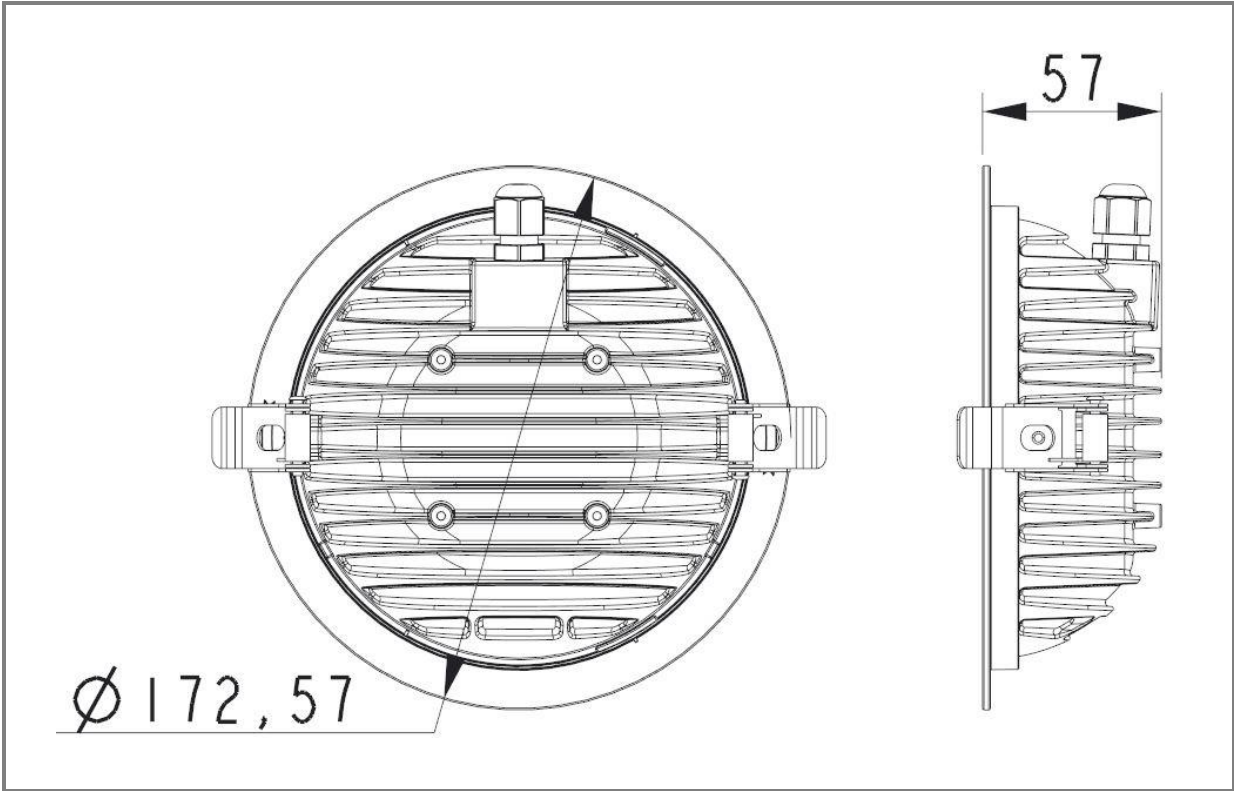
LED LIGHTING

## PRODUCT TECHNICAL INFORMATION

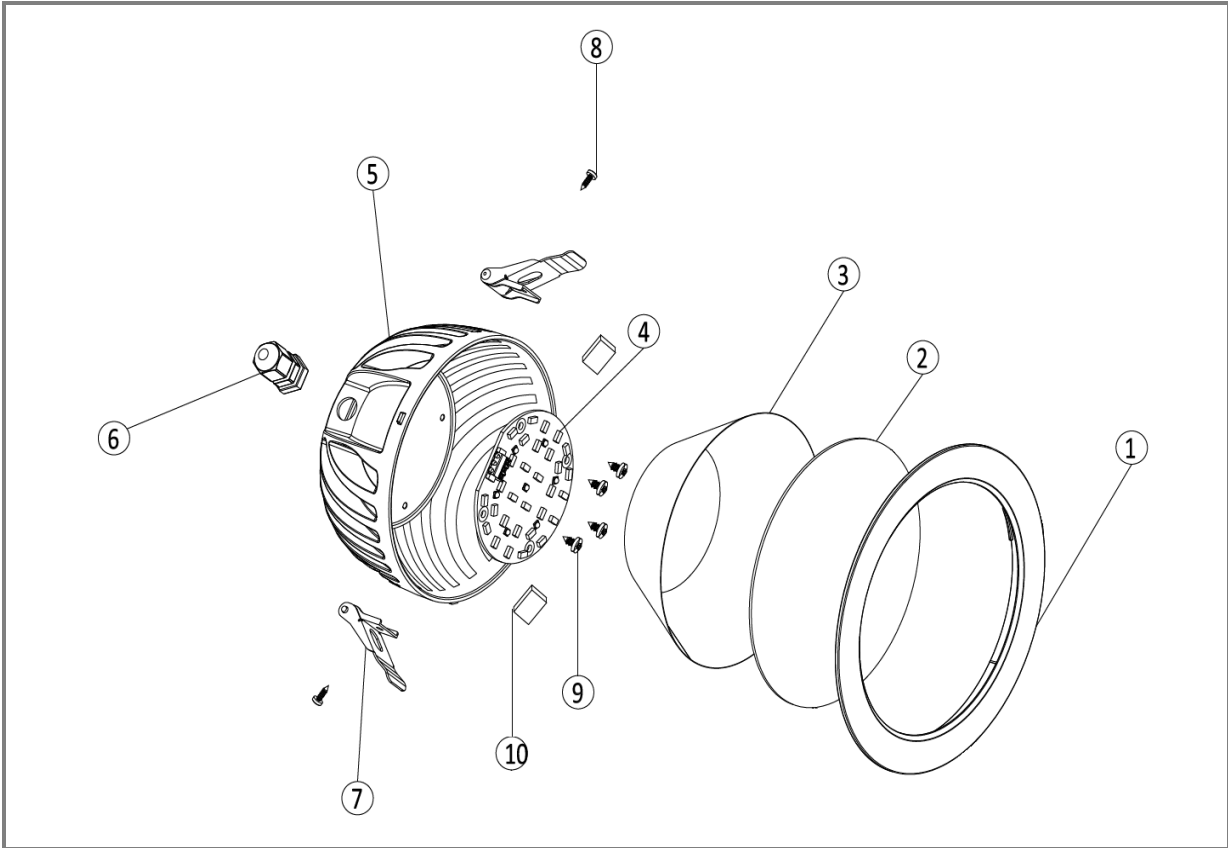
PRODUCT SPECIFICATION			
Colour Description	Warm White	Neutral White	Cool White
CCT	3000K	4000K	6500K
Luminous Flux	1150 lm ± 15%	1250 lm ± 15%	1250 lm ± 15%
Rated Power	13,5W [18W (W/EMG)]	13,5W [18W (W/EMG)]	13,5W [18W (W/EMG)]
CRI	> 80	> 80	> 80
Efficacy of Luminaire	85lm/W	93lm/W	93lm/W
Beam Angle of Luminaire	110°		
Dimming	Optional		
Emergency	Optional		
Flicker Free	Optional		
Rated Life Time	35,000 hours		
Operated Temperature	0°C ° – +40°C		
Humidity (Relative)	20-90%		
ELECTRICAL SPECIFICATION			
Number of Power Supplies	1 for 1 product		
Input Voltage (Vac)	220 ~ 240Vac		
Output Voltage (Vdc)	21-40V		
Output Current (Idc)	450mA± 5%		
Frequency (Hz)	50 ~ 60Hz		
Operating Mode	Constant Current		
Power Factor	PF > 0,85C		
MECHANICAL SPECIFICATION			
Dimensions (LxWxH)	Ø172.5mm x 57mm		
Weight	710 gr		
Packaging Type	ACCS. BOX		
Package Dimensions (LxWxH)	230mm x 230mm x 125mm		
Box	-		
Quantity in a Box	<u>1</u>		

# PHOTOMETRIC SPECIFICATION





EXPLODED VIEW OF THE PRODUCT



NO.	PART NAME
1	FRONT FRAME
2	GLASS
3	REFLECTOR
4	PCB
5	ALUMINUM HOUSING
6	CABLE GLAND
7	MOUNTING BRACKET
8	2.2x5 SCREW
9	2.2x9.5 SCREW
10	SUPPORT SPONGE

CONTAINER INFORMATION				
20" FEET		40" FEET		40" FEET
1536pcs		3456pcs		3456pcs
PALETTE DIMENSIONS				
LENGHT	WIDTH	HEIGHT	WEIGHT	PACKAGE ON THE PALETTE
100cm	120cm	220cm	168kg	192pcs